

Operation manual

MuSiCa NoVa

ProMetheus

Table of contents

| | |
|---|---|
| 1 Setup and connections | 3 |
| 1.1 Precautions & safety instructions | 3 |
| 1.2 Mains supply | 3 |
| 1.3 Softstart | 3 |
| 1.4 Amplifier connection..... | 3 |
| 1.5 Digital output..... | 3 |
| 2 Operation | 4 |
| 2.1 Loading the disc | 4 |
| 2.2 Playing CD's (play/pause/stop)..... | 4 |
| 2.3 Switching the display (display mode/display off)..... | 4 |
| 2.4 Skip (next/previous track) | 4 |
| 2.5 Shuffle (total shuffle play once)..... | 4 |
| 2.6 Repeat play (repeat all)..... | 5 |
| 2.7 Digital volume control | 5 |
| 2.8 Track programming (memory)..... | 5 |
| 2.8.1 Track programming in the stop mode..... | 5 |
| 2.8.2 Track programming in the play mode..... | 5 |
| 2.8.3 Repetition and deleting of the program..... | 5 |
| 3 The remote control transmitter (option)..... | 6 |
| 4 Figuration | 7 |

Congratulations! You are the proud owner of an extremely sophisticated CD-player with a tube output stage.

Please read this operation manual carefully and store it in a safe place for later reference.

1 Setup and connections

1.1 Precautions & safety instructions

Keep the unit away from locations where it is likely to be exposed to high temperatures or humidity. Also avoid locations which are subject to excessive dust accumulation or vibration.

The openings in the cabinet assure ventilation. Make sure to allow a space of at least 20cm above the top panel of the unit. That also allows the comfortable opening of the disc lid.

Keep it also away from such sources of hum as transformers, TV-sets or motors.

You will hear that your ProMetheuS sounds best after about two hours after switch-on, so we recommend to switch off the unit only, if you don't want to use it for a longer period (e.g. for more than one day).

1.2 Mains supply

The voltage selector on the rear panel ⑩ of this unit must be set for your local mains voltage BEFORE plugging into the mains supply. The mains fuse is placed in the fuseholder ⑪ below the mains socket ⑩.

1.3 Softstart

The power switch ① turns this unit on and off.

Whilst *warm up*, the operation mode indicator ⑫ (LED) flickers with red light. In this mode the tubes are gently preheated for operation. After about 30 seconds the LED stops flickering, and the operation voltage (high voltage!) is added. After about 30 further seconds the operation mode indicator changes to green. Now the CD-player is in its' normal operation mode.

This softstart circuitry increases the lifetime of the tubes dramatically.

Note: Whilst *warm up* the unit is not controllable.

1.4 Amplifier connection

Connect the output ⑭ jacks of ProMetheuS to your amplifier by means of a high quality NF-cable with RCA-connectors. There is a great dependence of sound between the quality of the NF-cable and the sound of the CD-player. Connect your local dealer - he will help you to find the best solution.

1.5 Digital output

For use as a CD-transport or for copying directly to a digital recording unit, the ProMetheuS has a coaxial digital output ⑮. For connection we knowingly used a BNC socket, because this connection makes the most precise data transfer possible. As mentioned in chapter 1.3 please take care of a high quality digital cable.

To avoid disturbances, caused by a not used digital output, you should switch off the digital output if you don't need it. Press the *stop* ① button and then the *display mode* ⑯ button. The display now indicates either *don* or *doff*. Pressing the *next track* ⑰ button or the *previous track* ⑱ button, you can switch between *don* (=digital output on) and *doff* (=digital output off). To store the setting press the *display mode* ⑯ button again. The setting is stored even after power off.

2 Operation

2.1 Loading the disc

Open the lid ⑥ up to the end position and lay a CD on the small turntable (label side upward). Then put the included stabilizer on the centre of the CD. Doing that you will feel that the stabilizer is held to the turntable by magnetism. Now close the lid carefully and you will hear a soft click. After reading the CD, the unit will display the total recorded time and the total number of tracks.

2.2 Playing CD's (play/pause/stop)

Press *play* ⑦③ to start. The display shows the track number to be played and the elapsed time of the track.

Press *play* ⑦③ again and the track will start from the beginning again (replay).

To stop play temporarily press *pause* ⑤④, the indicator ⑥ lights up and the display ⑧ disappears. While pause mode you may skip up ②⑧ or down ③⑨ respectively advance ⑤ or reverse rapidly ⑦ to search a certain passage. To resume play press either *play* ⑦③ or *pause* ⑤④. To stop play completely press either *stop* ④⑩ or open the lid.

2.3 Switching the display (display mode/display off)

Whilst playing a CD, you can select any of the three displays by pressing the *dis mode* ⑨② button:

1. the elapsed time and the number of the track now playing
2. the remaining time and the number of the track now playing
3. the total disc play time and total number of tracks

Pressing the *dis mode* ⑨② button will show the first information again.

Pressing the *dis mode* ⑨② button whilst the stop mode, you can switch on/off the digital output (see 1.4).

Pressing the *dis off* ⑩ button switches off the display, pressing again, the display will be switched on.

Note: Pressing any button whilst display off state, the display will be turned on for about five seconds to show the reaction.

2.4 Skip (next/previous track)

Pressing the *next track* ②⑧ button whilst playing, the playing will be continued at the beginning of the next track, pressing the *previous track* ③⑨ button skips to the beginning of the previous track.

Pressing these buttons in the stop mode, you can select a desired title and the playing will begin immediately without pressing any other button.


2.5 Shuffle (total shuffle play once)

Pressing the total shuffle play once ⑫ button will play the tracks on a disc in a random sequence selected by the unit's microcomputer. The display information will be SHUFFLE.




To cancel random sequence play you have to press either the play ⑦③ button or the total shuffle play once ⑫ button on the transmitter again. Opening the lid will cancel shuffle play too. SHUFFLE will disappear.

Shuffle play is not possible whilst program play.

2.6 Repeat play (repeat all)

Pressing the *repeat*  button will play the entire disc or programmed tracks repeatedly. The display information will be REPEAT. Pressing the button again or opening the lid will cancel repeat play.

2.7 Digital volume control


Pressing the digital volume +/- / buttons (only possible with the remote control transmitter) adjusts the level of the analog output . The momentary output level will be displayed by pressing one of these buttons. The lowest level is -60dB and the highest level (standard) is 0dB. The output level setting will stay even with the power switched off.

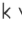
2.8 Track programming (memory)

If you have got our remote control transmitter you can enjoy listening to your favorite tracks in any desired order using programmed play. The display informs you about the total time of the tracks currently programmed. As many as 30 tracks can be programmed for a disc.

There are two ways, to program the desired track selection: Track programming is possible in the stop mode or in the play mode.

2.8.1 Track programming in the stop mode

Put in a disc, don't forget the stabilizer and close the lid. After a few moments for the reading of the disc informations the unit will display the total number of tracks and the total recorded time of the disc. Pressing the *memory*  button (on the transmitter!) activates the program mode. The display shows the number of the selected track on the left side, the total time of the program right next to it and the numbers of the tracks programmed yet.

Select the first desired track with the next track  or previous track  buttons. The track number will flash on the track calendar in the display.



Pressing the *memory*  button adds the selected track to the program order. The track number on the track calendar won't flash anymore but be marked with a bar

Repeat this step to add other desired tracks to the program order. You can also select one track twice or more. The time display shows the total time of the tracks currently programmed and the track calendar shows the bars of the programmed tracks.

Press the *stop*, *play* or *pause* button to stop programming.

2.8.2 Track programming in the play mode

You can program tracks during normal play mode, too.

Press the *memory*  button and the current track number will flash on the display. If you want to select this track for program play, press *memory*  again. The track number won't flash anymore but be marked with a bar on the track calendar

If you want to select another track press the next track  or previous track  buttons until the desired track is displayed, then press the *memory*  button.

Repeat this step to add other desired tracks to the program order. You can also select one track twice or more. The time display shows the total time of the tracks currently programmed and the track calendar shows the bars of the programmed tracks.

Press the *stop*  button to stop programming.

2.8.3 Repetition and deleting of the program

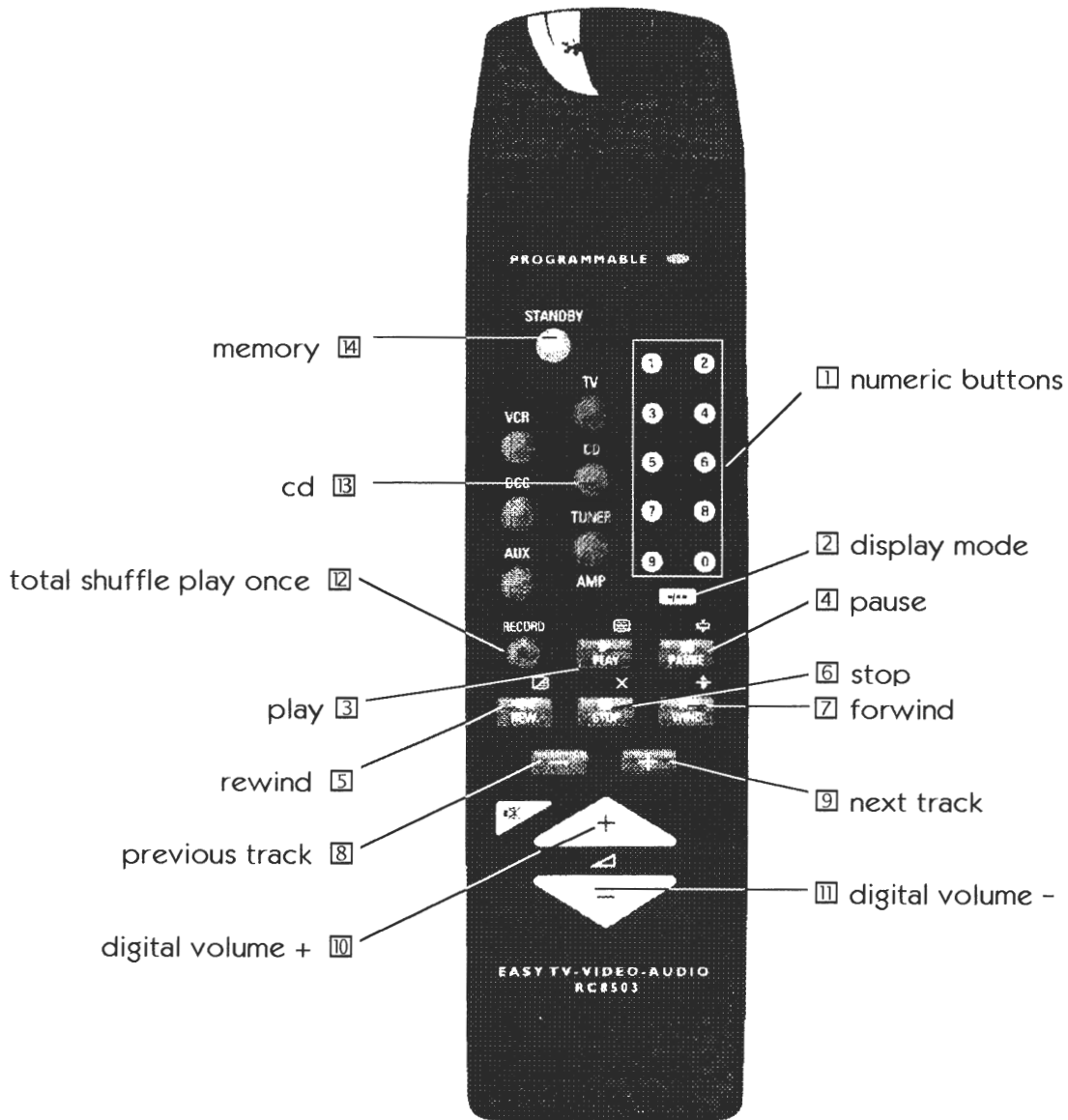
Press the *play*  button to start program play. The repeat function works in the program play mode, too.

Opening the lid  cancels program play and deletes the programmed track order.

3 The remote control transmitter (option)

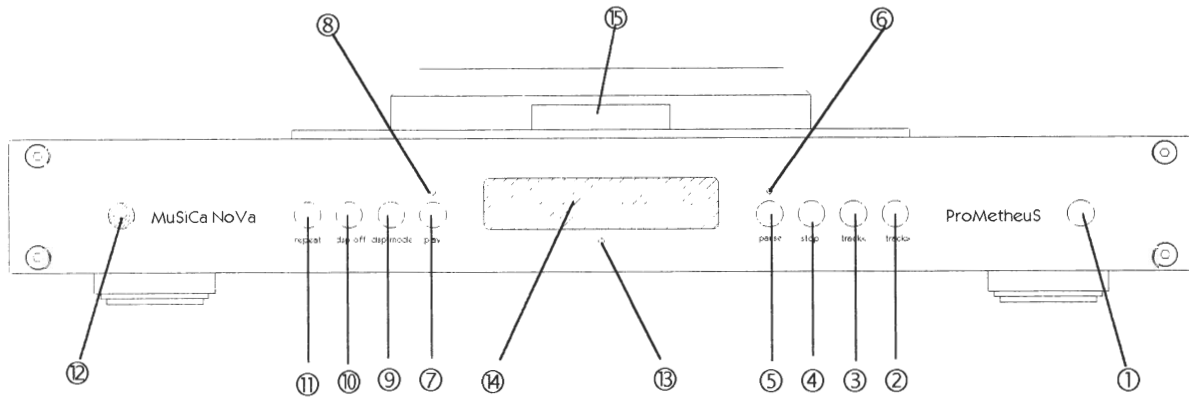
For this is a programmable remote control unit with six operation levels, you can use those keys, which are not needed for ProMetheuS for programming with any other function you have on your existing remotes so far.

The markings on the transmitter are essentially corresponding to the markings on the ProMetheuS (see fig.). Please take care of having always a set of spare batteries - *empty batteries must be replaced within 30 minutes*. For further details concerning the use of the transmitter, please read the original instruction manual.

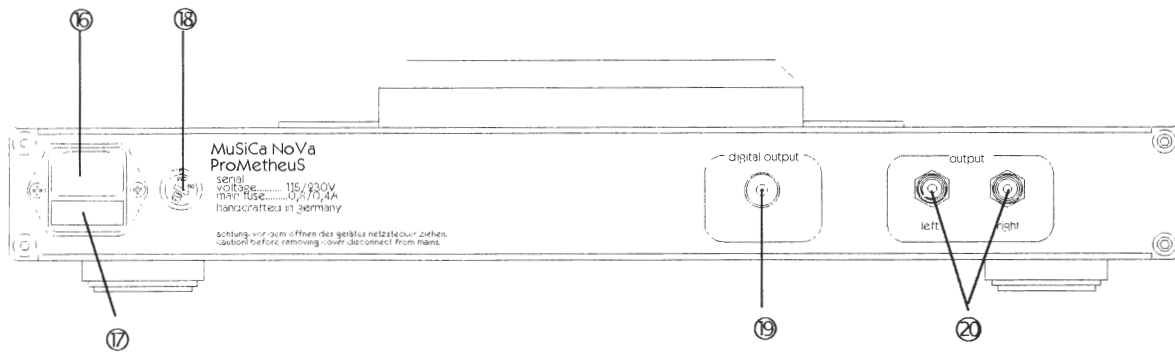


The commands for the ProMetheuS are placed on the CD level. You switch between the different levels with a short press on the input keys, longer pressing activates the corresponding input on the PeGaSuS/PhoeniX.

4 Figuration



Front view



Rear view

- | | |
|-------------------------|------------------------------------|
| ① Power on/off | ⑪ Repeat |
| ② Next track | ⑫ Remote control sensor |
| ③ Previous track | ⑬ Mode indicator (dual colour LED) |
| ④ Stop | ⑭ Display |
| ⑤ Pause | ⑮ CD lid |
| ⑥ Pause indicator (LED) | ⑯ Mains socket |
| ⑦ Play | ⑰ Mains fuse |
| ⑧ Play indicator (LED) | ⑱ Voltage selector |
| ⑨ Display mode | ⑲ Digital output (BNC) |
| ⑩ Display on/off | ⑳ Tubed output l/r |